

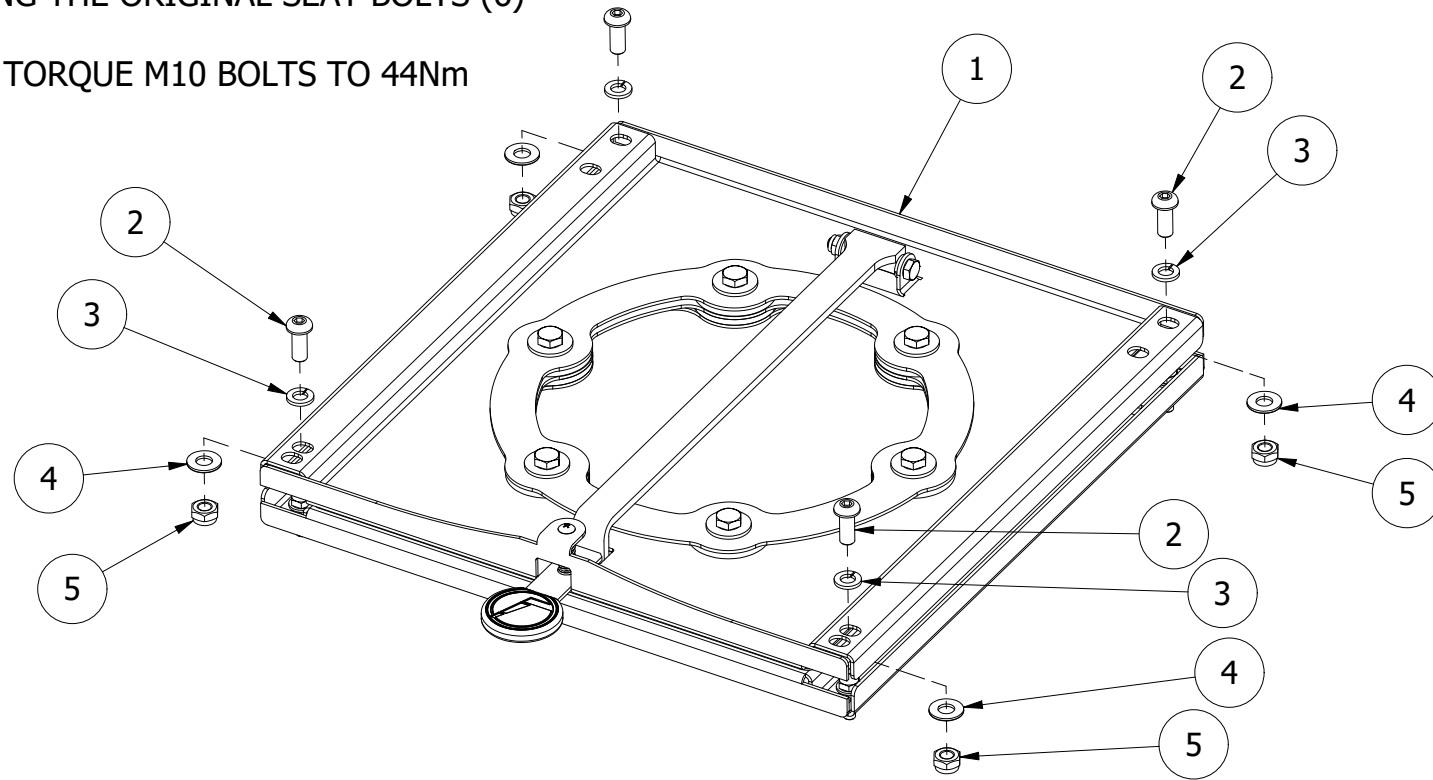
ITEM NO.	PART NO.	QTY.	DESCRIPTION	PACKED BY
1	TS1081	1	SEAT SWIVEL ASSEMBLY	
2	10X25M BSS	4	M10 x 25mm BUTTON HEAD SET SCREW	
3	10M SW	4	M10 SPRING WASHER	
4	10M ZPW	4	M10 FLAT WASHER	
5	10M NYLN	4	M10 NYLOC NUT	
6	-	4	ORIGINAL SEAT BOLT (NOT SUPPLIED)	
7	TS-LB07	1	SWIVEL WARNING STICKER	



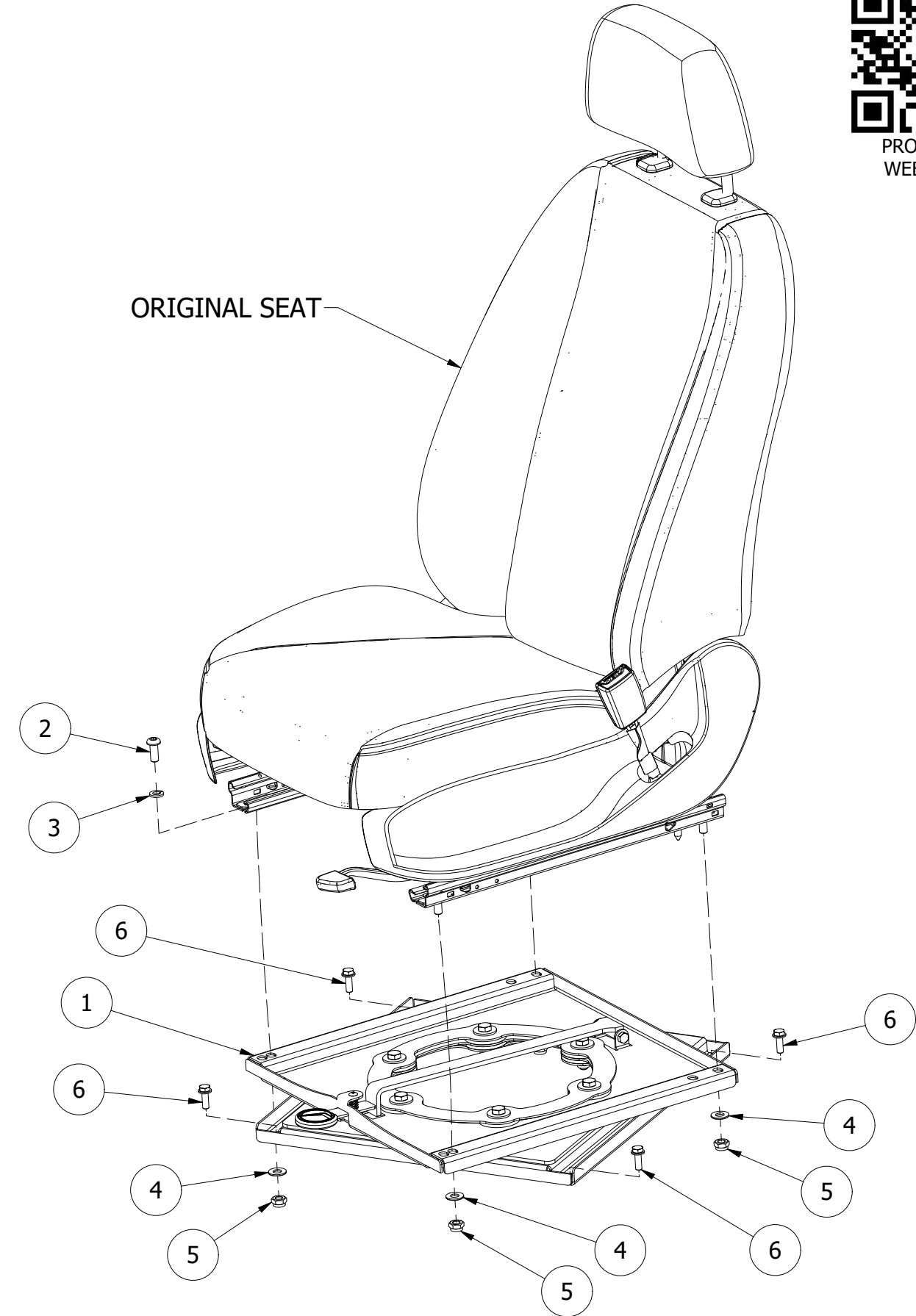
### ASSEMBLY INSTRUCTIONS

1. REMOVE ORIGINAL SEAT
2. TURN THE SEAT SWIVEL TO APPROX. 30° TO ALLOW ACCESS TO THE BOLT HOLES
3. FIT THE SEAT TO THE TOP PLATE OF THE SWIVEL USING THE SUPPLIED M10 x 25mm BOLTS (2), WASHERS (3, 4) AND NYLOC NUTS (5)
4. FIT THE BOTTOM PLATE OF THE SWIVEL TO THE ORIGINAL SEAT FRAME USING THE ORIGINAL SEAT BOLTS (6)

NOTE: TORQUE M10 BOLTS TO 44Nm



ORIGINAL SEAT



The installer must label the seat with this Warning: **THIS SEAT IS ONLY TO BE USED IN THE FORWARD FACING POSITION WHEN THE VEHICLE IS IN MOTION**

The handbrake mount will require an offset modification to allow the installation of the Drivers side seat swivel. This modification must be made by the installer or vehicle body builder.

This swivel cannot be fitted if OEM seats are suspension or non-factory type.

#### IMPORTANT INFORMATION FOR INSTALLERS

Aftermarket seats and swivels sold by Techsafe Seating have been tested by an approved testing authority in Australia and found to meet the strength and performance requirements of the appropriate standards. Aftermarket seats and swivels should only be installed by competent and experienced personnel. Aftermarket seats and swivels in some state jurisdictions may require certification by a qualified certifying engineer. In all instances professional engineering advice should be sought to ensure the suitability of the integration of the seat or swivel into the original vehicle structure and to consider for any effect the modification may have on that vehicles compliance with legislated standards. As the manufacturer and seller of this product has no control over the end use or the fitment to the vehicle, the manufacturer and seller accepts no responsibility or liability for any malfunction of the product or the vehicle occupant safety systems as a direct or indirect result of faulty installation or unauthorized repair or modification to this product. Modification of the seat, swivel or installation kit should not be made without certification by a qualified engineer or manufacturers written consent. Where components of the installation kit are modified to better suit the specific nature of the installation, these must be substituted with components of equivalent or greater strength. Good engineering practice should be evident at all times including the use of metal spacers between brackets and the floor pan, appropriately torqued anchorage bolts, rust inhibitors on drilled holes and adhesive sealant used on underfloor backing plates.

#### PROPRIETARY AND CONFIDENTIAL

THE INFORMATION CONTAINED IN THIS DRAWING IS THE SOLE PROPERTY OF TECHSAFE. ANY REPRODUCTION IN PART OR AS A WHOLE WITHOUT THE WRITTEN PERMISSION OF TECHSAFE IS PROHIBITED.



56 Lower Mountain Road  
 HERVEY BAY QLD 4655  
 PH 07 4128 3337  
 email: technical@techsafeseating.com.au  
 web: techsafeseating.com.au

PRODUCT SEAT SWIVEL

VEHICLE/PROJECT  
**MERCEDES BENZ SPRINTER VS30 VAN**  
 (11/2018 ON)

DESIGN APPROVAL No. 20220022R002Rev0	COMPLIES WITH ADR 3 & 5	REV <b>1</b>
DATE 31/08/2021	DWG No. PK158	