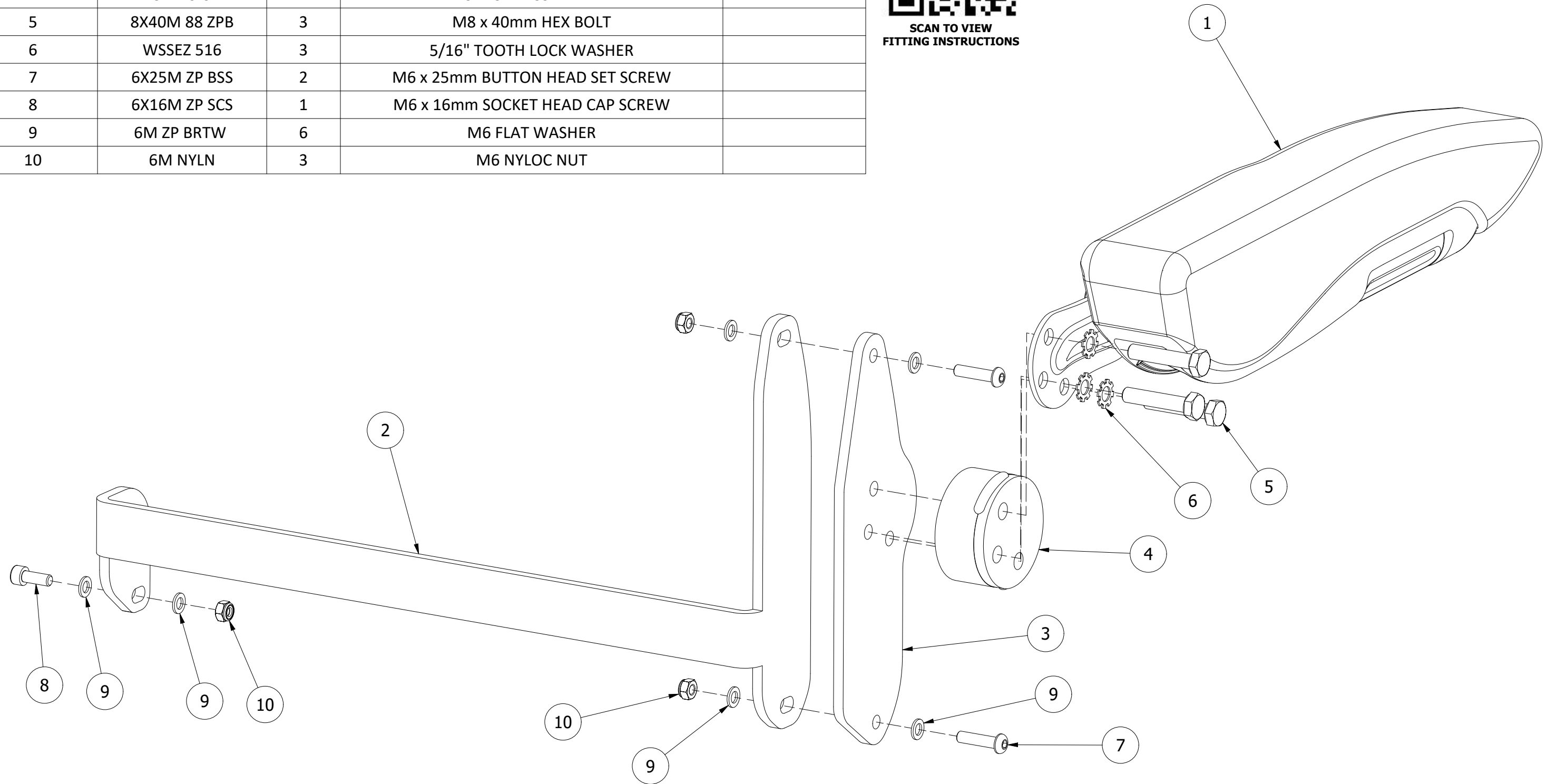


ITEM NO.	PART NO.	QTY.	DESCRIPTION	PACKED BY
1	-	1	ARM REST ASSEMBLY - PASSENGER SIDE	
2	TS1221	1	INBOARD ARM REST BRACE - PASSENGER SIDE	
3	TS1220-01	1	OUTER BOLT PLATE	
4	TS1220-02	1	SPACER ASSEMBLY	
5	8X40M 88 ZPB	3	M8 x 40mm HEX BOLT	
6	WSSEZ 516	3	5/16" TOOTH LOCK WASHER	
7	6X25M ZP BSS	2	M6 x 25mm BUTTON HEAD SET SCREW	
8	6X16M ZP SCS	1	M6 x 16mm SOCKET HEAD CAP SCREW	
9	6M ZP BRTW	6	M6 FLAT WASHER	
10	6M NYLN	3	M6 NYLOC NUT	



SCAN TO VIEW  
FITTING INSTRUCTIONS



**IMPORTANT INFORMATION FOR INSTALLERS**

Aftermarket seats and swivels sold by Techsafe Seating have been tested by an approved testing authority in Australia and found to meet the strength and performance requirements of the appropriate standards. Aftermarket seats and swivels should only be installed by competent and experienced personnel. Aftermarket seats and swivels in some state jurisdictions may require certification by a qualified certifying engineer. In all instances professional engineering advice should be sought to ensure the suitability of the integration of the seat or swivel into the original vehicle structure and to consider for any effect the modification may have on that vehicles compliance with legislated standards. As the manufacturer and seller of this product has no control over the end use or the fitment to the vehicle, the manufacturer and seller accepts no responsibility or liability for any malfunction of the product or the vehicle occupant safety systems as a direct or indirect result of faulty installation or unauthorized repair or modification to this product. Modification of the seat, swivel or installation kit should not be made without certification by a qualified engineer or manufacturers written consent. Where components of the installation kit are modified to better suit the specific nature of the installation, these must be substituted with components of equivalent or greater strength. Good engineering practice should be evident at all times including the use of metal spacers between brackets and the floor pan, appropriately torqued anchorage bolts, rust prohibitors on drilled holes and adhesive sealant used on underfloor backing plates.

**PROPRIETARY AND CONFIDENTIAL**

THE INFORMATION CONTAINED IN THIS DRAWING IS THE SOLE PROPERTY OF TECHSAFE. ANY REPRODUCTION IN PART OR AS A WHOLE WITHOUT THE WRITTEN PERMISSION OF TECHSAFE IS PROHIBITED.



56 Lower Mountain Road  
HERVEY BAY QLD 4655  
PH 07 4128 3337  
email: technical@techsafeseating.com.au  
web: techsafeseating.com.au

PRODUCT H300 (2019+) HIACE/COMMUTER

VEHICLE/PROJECT  
**INBOARD ARM REST - PASSENGER SIDE**

DESIGN APPROVAL No.	COMPLIES WITH	REV <b>0</b>
-	-	
DATE	DWG No.	
20/09/2022	PK164	